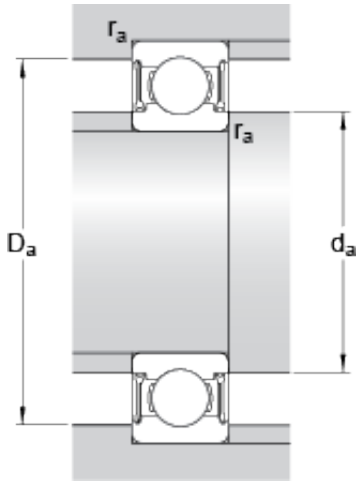




NUP BEARING LTD



6 mm x 15 mm x 5 mm skf W 619/6-2RZ Deep groove ball bearings

Bearing No. W 619/6-2RZ

d	6 mm
D	15 mm
B	5 mm
d ₂	7.5 mm
D ₂	13 mm
r _{1,2} min.	0.2 mm
d _a min.	7.3 mm
d _a max.	7.4 mm
D _a max.	13.4 mm
r _a max.	0.2 mm
Basic dynamic load rating C	0.761 kN
Basic static load rating C ₀	0.265 kN
Fatigue load limit P _u	0.011 kN
Reference speed	100000 r/min
Limiting speed	50000 r/min
Calculation factor k _r	0.025
Calculation factor f ₀	6.8
Mass bearing	0.0038 kg

W 619/6-2RZ Bearing 2D drawings and 3D CAD models