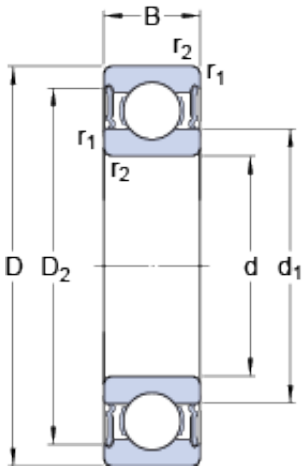




NUP BEARING LTD



70 mm x 150 mm x 35 mm skf 6314-2RS1 Deep groove ball bearings

Bearing No. 6314-2RS1

6314-2RS1 Bearing 2D drawings and 3D CAD models

Size	150x70x35 mm
Bore Diameter	150 mm
Outer Diameter	70 mm
Width	35 mm
d	70 mm
D	150 mm
B	35 mm
d ₁	94.95 mm
D ₂	129.9 mm
r _{1,2} - min.	2.1 mm
d _a - min.	82 mm
d _a - max.	94.9 mm
D _a - max.	138 mm
r _a - max.	2 mm
Basic dynamic load rating - C	111 kN
Basic static load rating - C ₀	68 kN
Fatigue load limit - P _u	2.8 kN
Limiting speed	3000 r/min
Calculation factor - k _r	0.03
Calculation factor - f ₀	13.2
Category	Single Row Ball Bearings
Inventory	0.0
Manufacturer Name	SKF
Minimum Buy Quantity	N/A



NUP BEARING LTD

Weight / Kilogram	2.618
EAN	7316570661224
Product Group	B00308
Enclosure	2 Seals
Precision Class	ABEC 1 ISO P0
Maximum Capacity / Filling Slot	No
Rolling Element	Ball Bearing
Snap Ring	No
Internal Special Features	No
Cage Material	Steel
Enclosure Type	Contact Seal
Internal Clearance	C0-Medium
Inch - Metric	Metric
Long Description	70MM Bore; 150MM Outside Diameter; 35MM Outer Race Width; 2 Seals; Ball Bearing; ABEC 1 ISO P0; No Filling Slot; No Snap Ring; No Internal Special Features; C0-Medium Internal Clearance; Steel Cage;
Other Features	Deep Groove NBR Seal
Category	Single Row Ball Bearing
UNSPSC	31171504
Harmonized Tariff Code	8482.10.50.68
Noun	Bearing
Keyword String	Ball
Manufacturer URL	http://www.skf.com
Manufacturer Item Number	6314-2RS1
Weight / LBS	5.767
Inner Race Width	0 Inch 0 Millimeter
Outside Diameter	5.906 Inch 150 Millimeter
Outer Race Width	1.378 Inch 35 Millimeter



NUP BEARING LTD

Bore	2.756 Inch 70 Millimeter
d_1	94.95 mm
D_2	129.9 mm
$r_{1,2}$ min.	2.1 mm
d_a min.	82 mm
d_a max.	94.9 mm
D_a max.	138 mm
r_a max.	2 mm
Basic dynamic load rating C	111 kN
Basic static load rating C_0	68 kN
Fatigue load limit P_u	2.75 kN
Calculation factor k_r	0.03
Calculation factor f_0	13.2
Mass bearing	2.62 kg