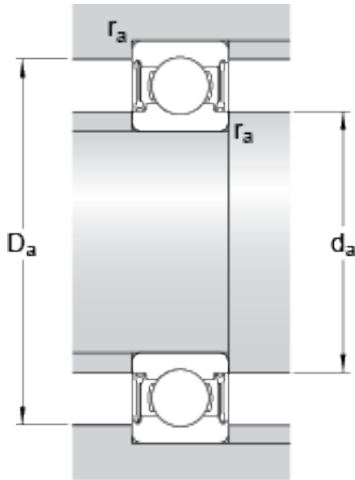




NUP BEARING LTD



3.175 mm x 9.525 mm x 3.967 mm skf D/W
R2-2RZ Deep groove ball bearings

Bearing No. D/W R2-2RZ

d	3.175 mm
D	9.525 mm
B	3.967 mm
d ₂	4.6 mm
D ₂	8.2 mm
r _{1,2} min.	0.3 mm
d _a min.	4 mm
d _a max.	4.5 mm
D _a max.	8.3 mm
r _a max.	0.3 mm
Basic dynamic load rating C	0.364 kN
Basic static load rating C ₀	0.114 kN
Fatigue load limit P _u	0.005 kN
Reference speed	130000 r/min
Limiting speed	63000 r/min
Calculation factor k _r	0.025
Calculation factor f ₀	6.5
Mass bearing	0.0012 kg

D/W R2-2RZ Bearing 2D drawings and 3D CAD models