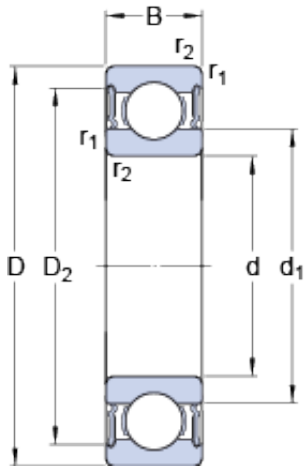




NUP BEARING LTD



12 mm x 32 mm x 10 mm skf W
6201-2RS1/VP311 Deep groove ball bearings

Bearing No. W 6201-2RS1/VP311

W 6201-2RS1/VP311 Bearing 2D drawings and 3D CAD models

Size	32x12x10 mm
Bore Diameter	32 mm
Outer Diameter	12 mm
Width	10 mm
d	12 mm
D	32 mm
B	10 mm
d ₁	18.5 mm
D ₂	27.95 mm
r _{1,2} - min.	0.6 mm
d _a - min.	16 mm
d _a - max.	18 mm
D _a - max.	28.5 mm
r _a - max.	0.6 mm
Basic dynamic load rating - C	5.7 kN
Basic static load rating - C ₀	3 kN
Fatigue load limit - P _u	0.127 kN
Limiting speed	15000 r/min
Calculation factor - k _r	0.03
Calculation factor - f ₀	12
d ₁	18.5 mm
D ₂	27.95 mm
r _{1,2} min.	0.6 mm
d _a min.	16 mm



NUP BEARING LTD

d_a max.	18 mm
D_a max.	28.5 mm
r_a max.	0.6 mm
Basic dynamic load rating C	5.72 kN
Basic static load rating C_0	3 kN
Fatigue load limit P_u	0.127 kN
Calculation factor k_r	0.03
Calculation factor f_0	12
Mass bearing	0.036 kg