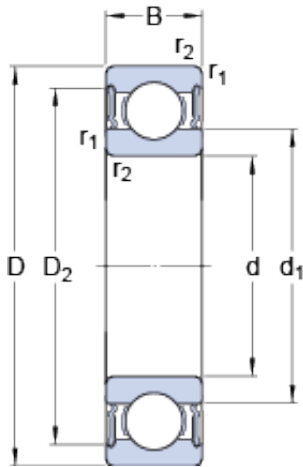




NUP BEARING LTD



70 mm x 90 mm x 10 mm skf W 61814-2RS1
Deep groove ball bearings

Bearing No. W 61814-2RS1

W 61814-2RS1 Bearing 2D drawings and 3D CAD models

Size	90x70x10 mm
Bore Diameter	90 mm
Outer Diameter	70 mm
Width	10 mm
d	70 mm
D	90 mm
B	10 mm
d ₁	76.4 mm
D ₂	85.62 mm
r _{1,2} - min.	0.6 mm
D _a - max.	mm
r _a - max.	0.6 mm
Basic dynamic load rating - C	10.4 kN
Basic static load rating - C ₀	12.5 kN
Fatigue load limit - P _u	0.54 kN
Limiting speed	4300 r/min
Calculation factor - k _r	0.02
d ₁	76.4 mm
D ₂	85.62 mm
r _{1,2} min.	0.6 mm
D _a max.	0 mm
r _a max.	0.6 mm
Basic dynamic load rating C	10.4 kN
Basic static load rating C ₀	12.5 kN



NUP BEARING LTD

Fatigue load limit P_u	0.54 kN
Calculation factor k_r	0.02
Calculation factor f_0	17.2