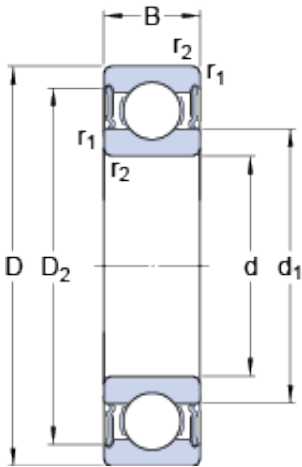




# NUP BEARING LTD



85 mm x 130 mm x 22 mm skf 6017-2RS1 Deep groove ball bearings

Bearing No. 6017-2RS1

6017-2RS1 Bearing 2D drawings and 3D CAD models

Size	130x85x22 mm
Bore Diameter	130 mm
Outer Diameter	85 mm
Width	22 mm
d	85 mm
D	130 mm
B	22 mm
d <sub>1</sub>	99.4 mm
D <sub>2</sub>	119.1 mm
r <sub>1,2</sub> - min.	1.1 mm
d <sub>a</sub> - min.	92 mm
d <sub>a</sub> - max.	99.3 mm
D <sub>a</sub> - max.	123 mm
r <sub>a</sub> - max.	1 mm
Basic dynamic load rating - C	52 kN
Basic static load rating - C <sub>0</sub>	43 kN
Fatigue load limit - P <sub>u</sub>	1.8 kN
Limiting speed	3000 r/min
Calculation factor - k <sub>r</sub>	0.025
Calculation factor - f <sub>0</sub>	15.8
Category	Single Row Ball Bearings
Inventory	0.0
Manufacturer Name	SKF
Minimum Buy Quantity	N/A



## NUP BEARING LTD

Weight / Kilogram	0.96
EAN	7316577297303
Product Group	B00308
Enclosure	2 Seals
Precision Class	ABEC 1   ISO P0
Maximum Capacity / Filling Slot	No
Rolling Element	Ball Bearing
Snap Ring	No
Internal Special Features	No
Cage Material	Steel
Enclosure Type	Contact Seal
Internal Clearance	C0-Medium
Inch - Metric	Metric
Long Description	85MM Bore; 130MM Outside Diameter; 22MM Outer Race Diameter; 2 Seals; Ball Bearing; ABEC 1   ISO P0; No Filling Slot; No Snap Ring; No Internal Special Features
Category	Single Row Ball Bearing
UNSPSC	31171504
Harmonized Tariff Code	8482.10.50.68
Noun	Bearing
Keyword String	Ball
Manufacturer URL	<a href="http://www.skf.com">http://www.skf.com</a>
Manufacturer Item Number	6017-2RS1
Weight / LBS	2.12
Outside Diameter	5.118 Inch   130 Millimeter
Outer Race Width	0.866 Inch   22 Millimeter
Bore	3.346 Inch   85 Millimeter
d <sub>1</sub>	99.4 mm
D <sub>2</sub>	119.1 mm



## NUP BEARING LTD

$r_{1,2}$ min.	1.1 mm
$d_a$ min.	92 mm
$d_a$ max.	99.3 mm
$D_a$ max.	123 mm
$r_a$ max.	1 mm
Basic dynamic load rating C	52 kN
Basic static load rating $C_0$	43 kN
Fatigue load limit $P_u$	1.76 kN
Calculation factor $k_r$	0.025
Calculation factor $f_0$	15.8
Mass bearing	0.93 kg