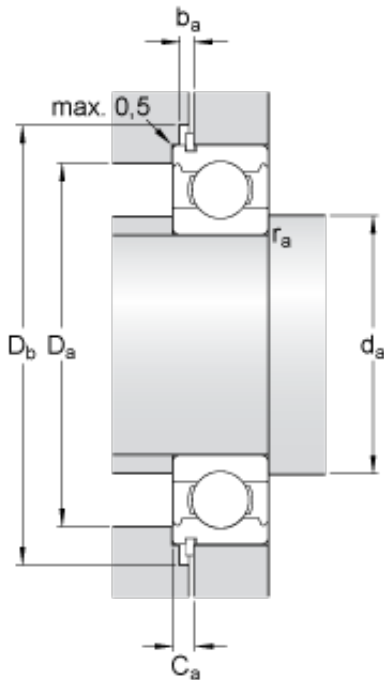




NUP BEARING LTD

105 mm x 160 mm x 26 mm skf 6021 N Deep groove ball bearings

Bearing No. 6021 N



6021 N Bearing 2D drawings and 3D CAD models

d	105 mm
D	160 mm
B	26 mm
d ₁	122.5 mm
D ₂	146.8 mm
D ₃	155.22 mm
b	3.1 mm
C	3.71 mm
r ₀ max.	0.6 mm
r _{1,2} min.	2 mm
d _a min.	116 mm
D _a max.	149 mm
D _b min.	172 mm
b _a min.	3.5 mm
C _a max.	6.53 mm
r _a max.	2 mm
Basic dynamic load rating C	76.1 kN
Basic static load rating C ₀	65.5 kN
Fatigue load limit P _u	2.4 kN
Reference speed	8500 r/min
Limiting speed	5300 r/min
Calculation factor k _r	0.025
Calculation factor f ₀	15.8
Mass bearing	1.57 kg